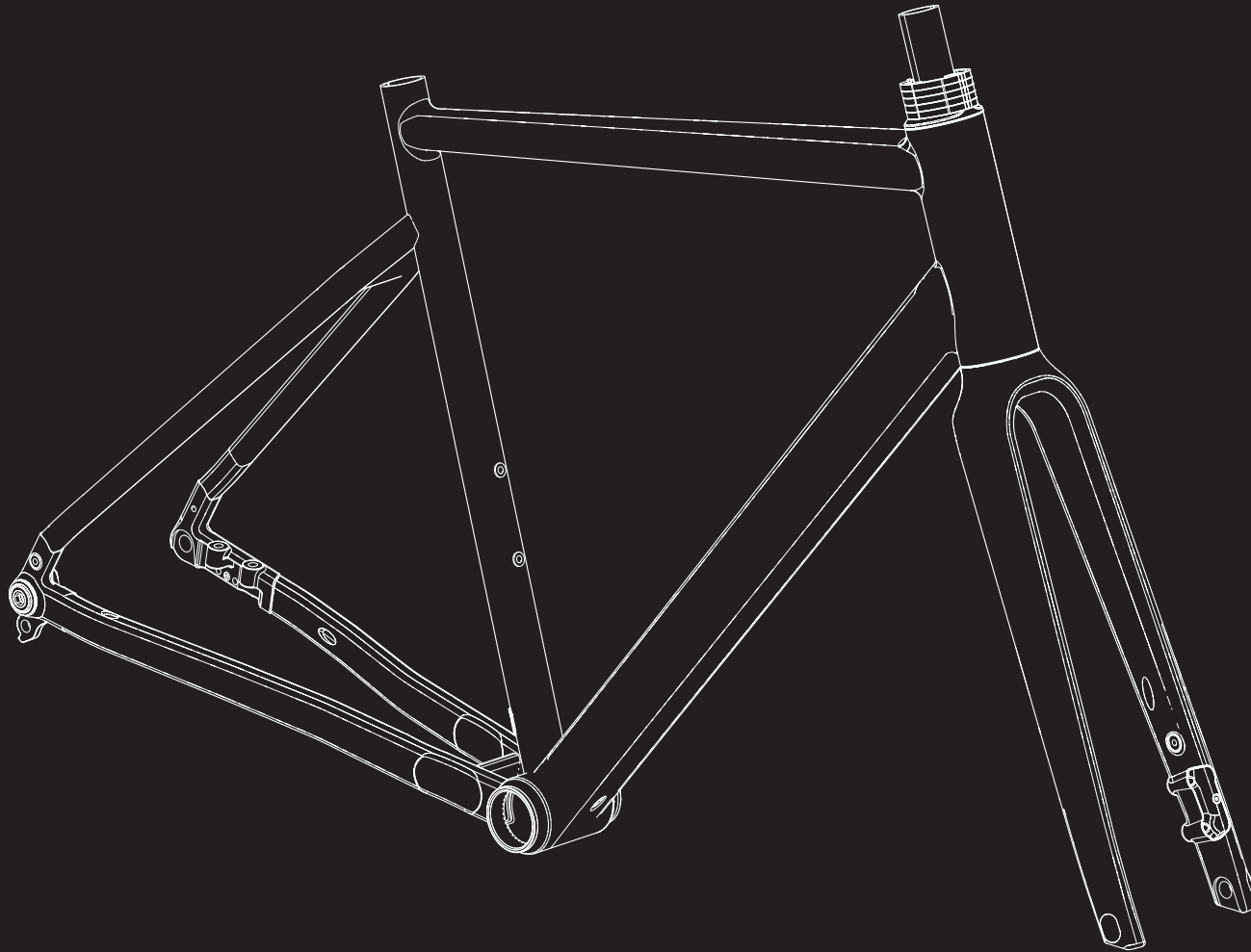


ROSE



ANY QUESTIONS?
technik@rosebikes.com

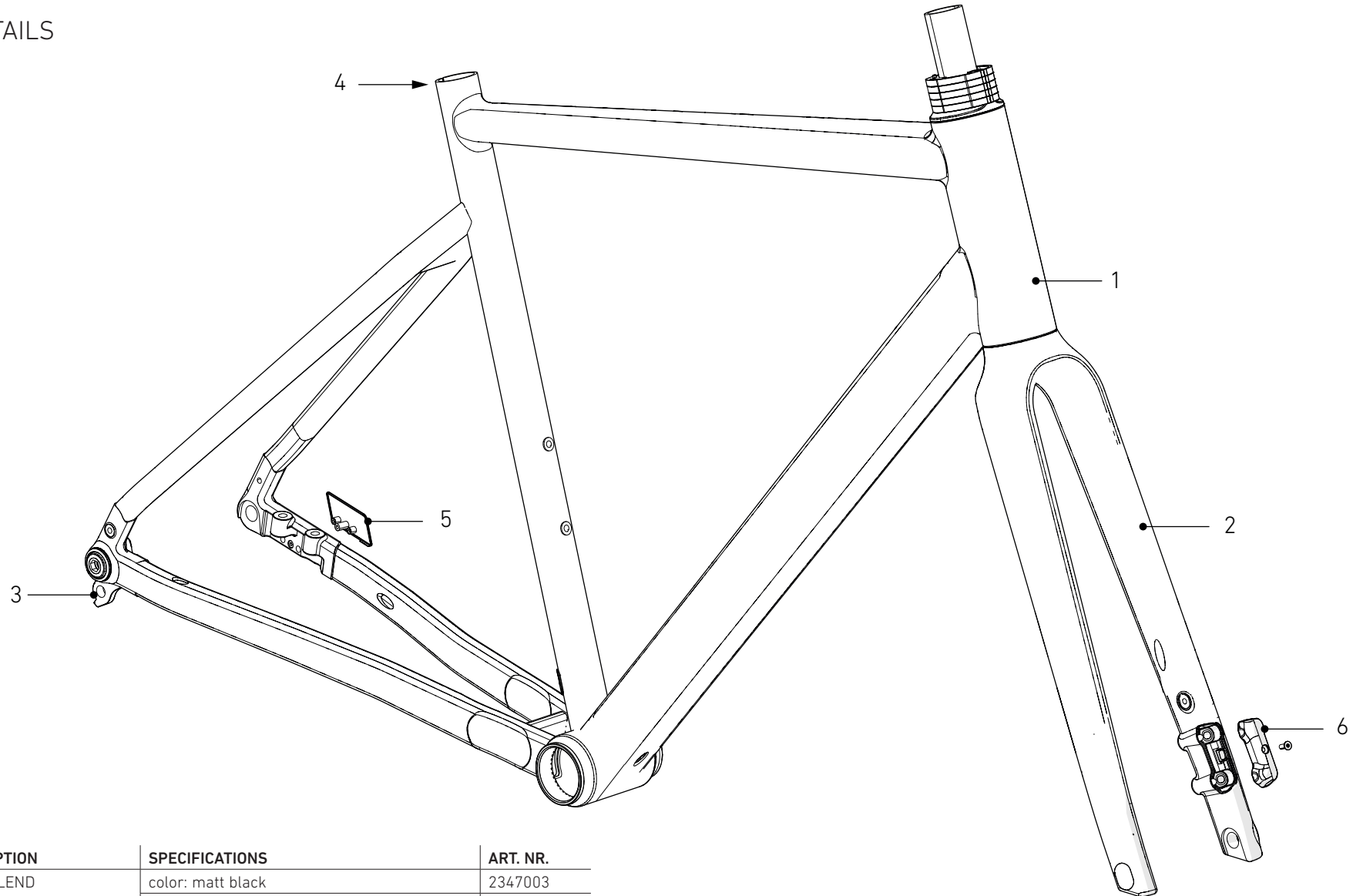
ROSE Bikes GmbH
Schersweide 4
46395 Bocholt, Germany

B L E N D

FRAME DETAILS

BLEND

FRAME DETAILS

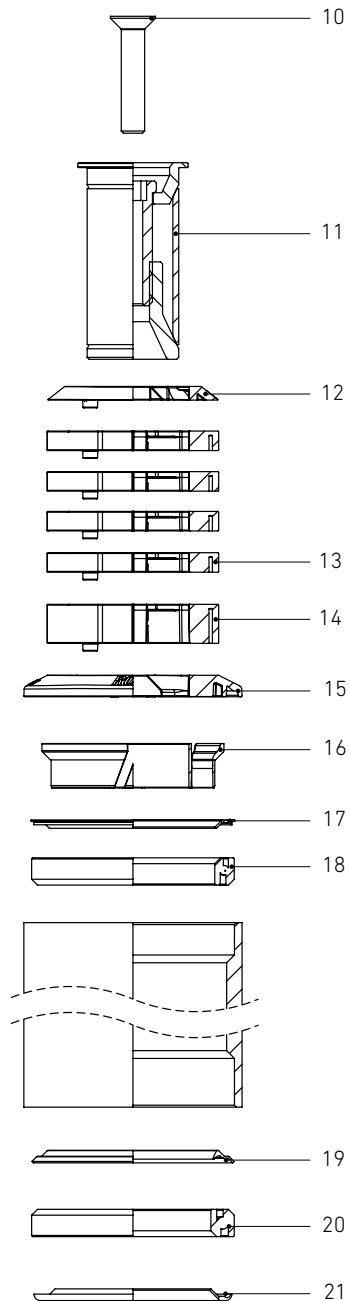


POS.	DESCRIPTION	SPECIFICATIONS	ART. NR.
1	frame BLEND	color: matt black	2347003
		color: matt salmon	2347004
		color: violet	16348104
		color: light ochre	16348102
		color: moss green	16348103
		color: papyrus	16137604
2	fork BLEND	color: matt black	1420370601
		color: matt salmon	2337441

POS.	DESCRIPTION	SPECIFICATIONS	ART. NR.
3	R/D hanger	SRAM UDH	231585301
4	seat tube clamp		2330767
5	kickstand cover		2330527
6	front brake cover	color: matt black	2347003
		color: matt salmon	2347004

B L E N D

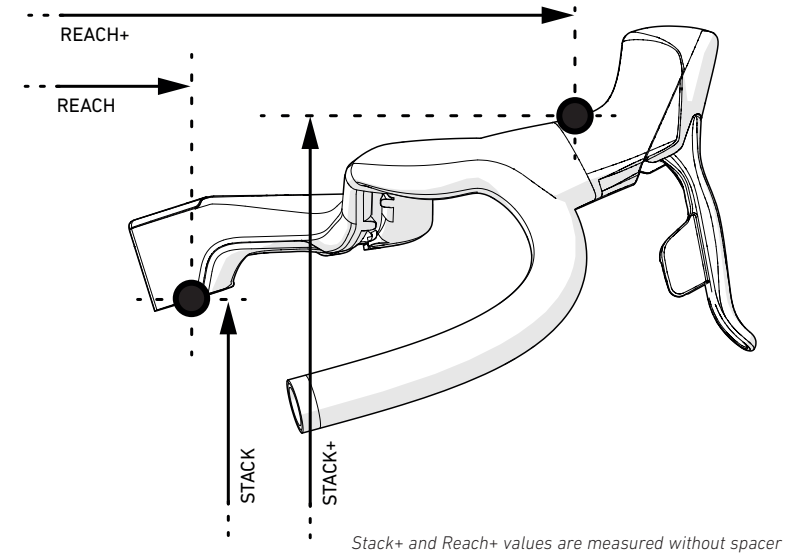
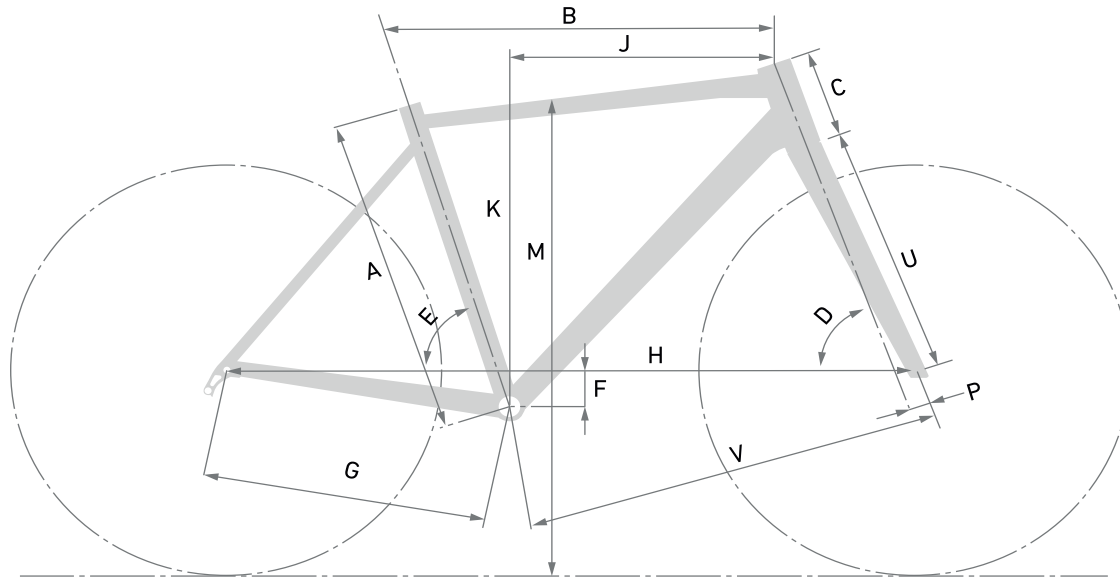
FRAME DETAILS



HEADSET DETAILS

POS.	DESCRIPTION	SPECIFICATIONS	ART. NR.
headset			2345652
10	top cap screw	DIN7991M6X30A2	
11	expander		
12	top cap		
13	1/2 Spacer, 5mm,		
14	1/2 spacer, 10 mm		
15	headtube cover		
16	compression ring		
17	upper headset sealing		
18	upper bearing	42x52x7, R2	
19	lower headset sealing		
20	lower bearing	40x52x7, R2	
21	lower headset sealing		

B L E N D



FRAME GEOMETRY

		XXS	XS	S	M	L	XL	XXL
SEATTUBE LENGTH [MM]	A	425	460	490	520	550	580	600
TOPTUBE LENGTH HORIZONTAL [MM]	B	502	518	538	558	575	595	607
HEADTUBE LENGTH [MM]	C	105 (+9mm tc)	125 (+9mm tc)	150 (+9mm tc)	170 (+9mm tc)	186 (+9mm tc)	205 (+9mm tc)	215 (+9mm tc)
HEAD TUBE ANGLE	D	69,50°	70°	71,00°	71,50°	71,5°	71,5°	72°
SEAT TUBE ANGLE	E	75,00°	74,5°	74,00°	73,50°	73,5°	73°	73°
BB DROP [MM]	F	75	75	72	72	72	70	70
REAR CENTER [MM] (CHAINSTAY LENGTH)	G	435	435	435	435	435	435	435
WHEELBASE [MM]	H	1008,9	1017	1025,1	1035,4	1053	1068,6	1075,3
REACH [MM]	J	360	365	373	381	394	403	411
STACK [MM]	K	532	552	577	598	613	629	640
REACH * [MM]	J1	511	527	536	555	567	586	595
STACK + [MM]	K1	608	630	652	673	688	706	716
BB HEIGHT	L	280	280	283	283	283	285	285
STAND-OVER HEIGHT (100 MM BEFORE BB)	M	744,4	773,1	803	828	850,2	874,6	890
FORK OFFSET [MM]	P	47	47	47	47	47	47	47
FORK LENGTH [MM]	U	402	402	402	402	402	402	402
FRONT CENTER [MM]	V	585,3	593,3	600,5	610,7	628,1	643,1	649,8
STACK TO REACH RATIO		1,47	1,51	1,55	1,57	1,56	1,56	1,56

FRAME INTERFACES

BOTTOM BRACKET	Pressfit BB86
FRONT WHEEL AXLE	12x100mm Length 121mm, Pitch 1.5 (234477401)
REAR WHEEL AXLE	12x142mm Length 167.7mm, Pitch 1.0 (233676401)
FRONT BRAKE MOUNT	Flat Mount 160 mm
REAR BRAKE MOUNT	Flat Mount 160 mm
Ø BRAKE DISC	160 mm
Ø SEATPOST	Ø 27,2 mm
MAX. TIRE SIZE	40 mm
MAX. CHAINRING SIZE	2x: 50-34T
BOTTLE CAGE	yes, 2x

MAX SYSTEM WEIGHT (RIDER + BICYCLE + CLOTHING + GEAR + LUGGAGE): 110 KG
 INTENDED USE: DIN EN 17406 CATEGORY 2